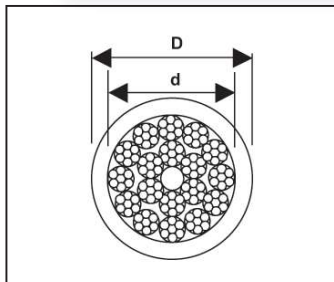
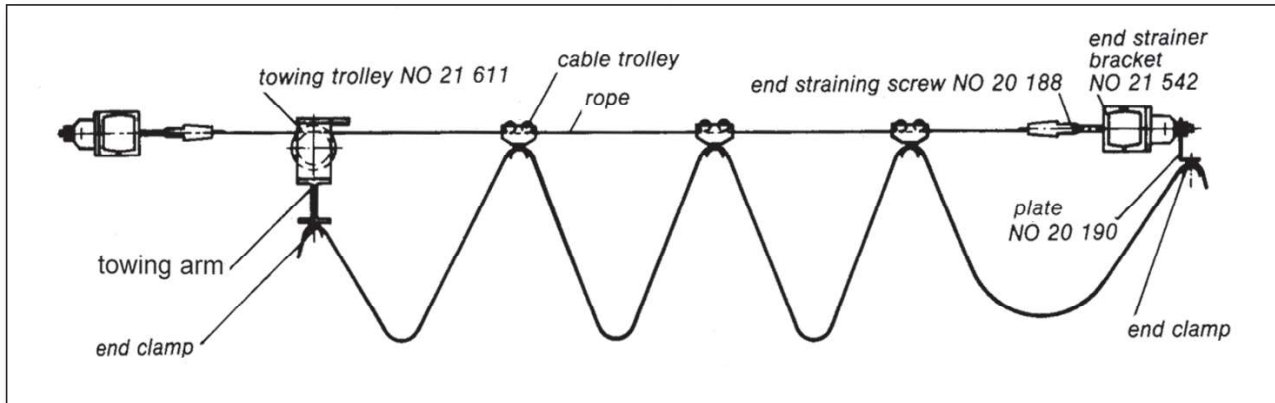
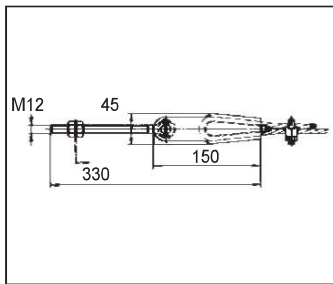


3.1 STEEL ROPE SYSTEM/PVC



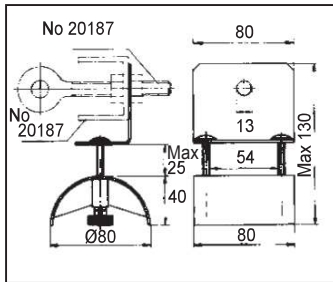
PART NO	d	D	MIN BRAKING STRENGTH		PERM TENSILE STRENGTH		WEIGHT (kg/m)
			F2(kN)	F2(kp)	F2(kN)	F2(kp)	
3-SF/0102	4	6	14.5	1480	3.6	370	0.094
3-SF/0103	6	8	20.3	2060	5.1	515	0.160



3-SF/0200 - END STRAINING SCREW

Material Rope lock - galvanized steel
Screw - galvanized steel
Nut - galvanized steel
Rope clamp - galvanized steel

Weight 0.7kg

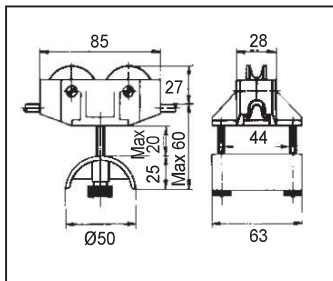


3-SF/0300 - END CLAMP

Material Butt strap - galvanized steel
Support - plastic
Screw - galvanized steel
Nut - galvanized steel
Split nut - plastic

Weight 0.220kg

Application: The cable clip is fastened with straining screw to the end strainer bracket. Suitable for fastening flat cables with a minimum width of 54mm and a maximum thickness of 25mm. The split nuts allow the flat cables to be clamped by hand.

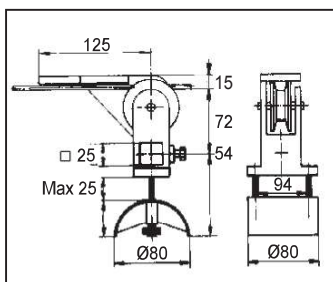
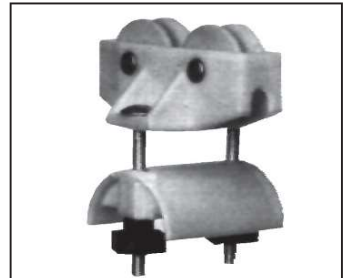


3-SF/0400 - CABLE CARRIER

Material Casing - plastic
Support - plastic
Runner - nylon
Shaft - stainless steel
Screw - galvanized steel
Nut - galvanized steel
Split nut - plastic

Weight 0.100kg
Load approx 6kg

Application: This cable trolley is designed for flat cables with a maximum width of 44mm and a maximum thickness of 20mm. Suitable for one or more flat cables. The split nuts allow the flat cables to be clamped by hand.



3-SF/0500 - MASTER CARRIER

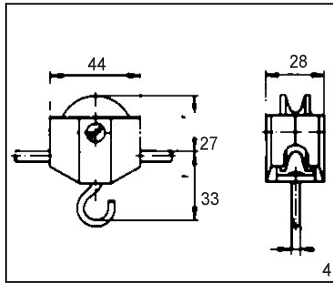
Material Casing - plastic
Runner - nylon
Bolt - stainless steel
Support - plastic
Screw - galvanized steel
Nut - galvanized steel
Split nut - plastic

Weight 0.380kg

Application: The master carrier ensures the correct guidance of flat cable and flat cable trolley. The maximum width of the cable can be 54mm. The maximum thickness 25mm. The split nuts allow the flat cables to be clamped by hand.



3.1 STEEL ROPE SYSTEM/PVC

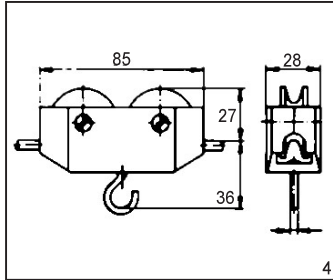
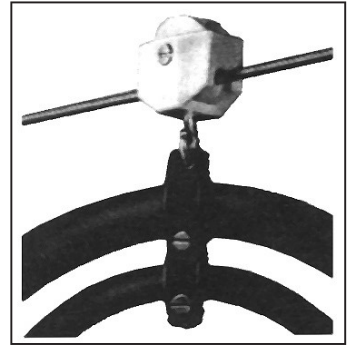


3-SR/0301 – CABLE CARRIER

Material Casing - plastic
 Runner - nylon
 Shaft - stainless steel
 Hook - galvanized steel
 Nut - galvanized steel

Weight 0.035kg
 Load approximately 3kg

Application: This cable trolley is used for light weight applications (for example on electric hoists, electric chain hoists as well as for gas and oxygen hoses)

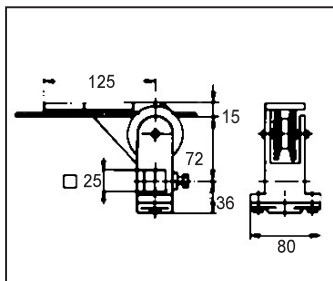
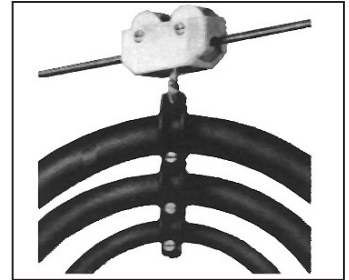


3-SR/0302 – CABLE CARRIER

Material Casing - plastic
 Runner - nylon
 Shaft - stainless steel
 Hook - galvanized steel
 Nut - galvanized steel

Weight 0.060kg
 Load approximately 6kg

Application: This cable trolley is also used for light weight applications (for example on electric hoists, electric chain hoists as well as for gas and oxygen hoses), but it can also be used for heavier loads.

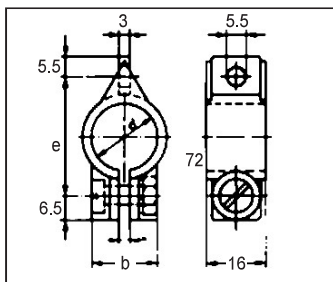


3-SR/0200 – MASTER CARRIER

Material Casing - nylon
 Runner - nylon
 Bolt - stainless steel
 Connecting plate - nylon
 Screw - galvanized steel
 Nut - galvanized steel

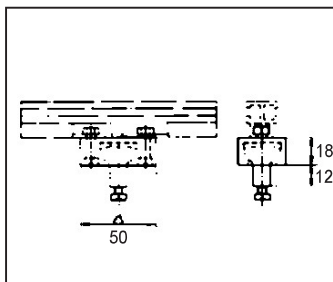
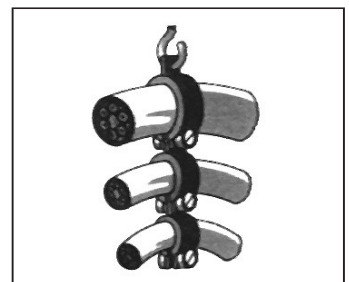
Weight 0.310kg

Application: The master carrier ensures the correct guidance of cable and cable trolley.



3-SR/0304-*. * - CABLE COLLAR FOR ROUND CABLE

PART NUMBER CABLE COLLAR	d	b	e	WEIGHT KG/1000
3-SR/0304-10	10	18	24,5	7,7
3-SR/0304-11	11	18	25,5	7,7
3-SR/0304-12,5	12,5	18	27	8,1
3-SR/0304-14	14	18	28,5	8,4
3-SR/0304-16	16	18	30,5	8,5
3-SR/0304-18	18	18	32,5	8,5
3-SR/0304-20	20	23	34,5	10
3-SR/0304-22	22	23	36,5	10
3-SR/0304-25	25	23	39,5	11
3-SR/0304-28	28	23	42,5	12
3-SR/0304-32	32	23	46,5	13
3-SR/0304-36	36	23	50,5	14

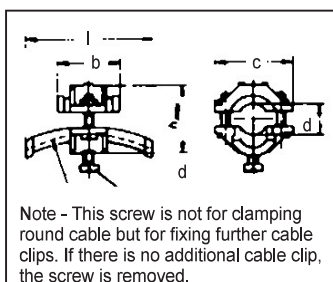
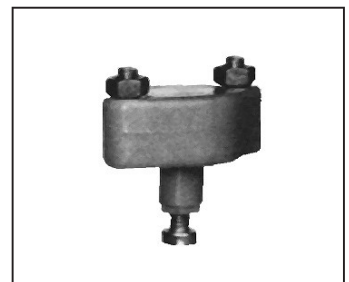


3-SR/0305 – BALL JOINT

Material Joint - nylon
 Screw - galvanized steel
 Nut - galvanized steel

Weight 0.040kg

Application: The ball joint can be fastened to the rail or to the cable support and secures the cable clips.

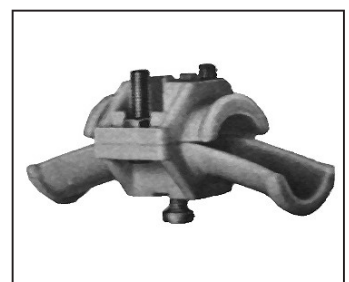


3-SR/0306-*. * - CABLE HALTER

Material Cable clip - nylon
 Screw - galvanized steel
 Nut - galvanized steel

Application: The cable clips are designed to support round cables.

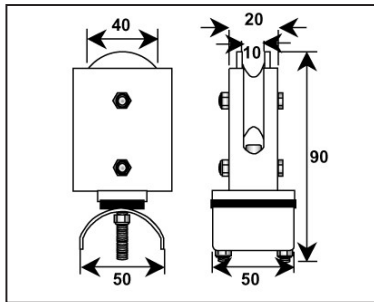
PART NUMBER	d CABLE Ø	r	l	h MAX	b	c	WEIGHT (kg)
3-SR/0306-16	10-16	80	70	38	35	42	0.040
3-SR/0306-25	17-25	125	100	47	50	50	0.060
3-SR/0306-36	26-36	180	140	58	70	64	0.120



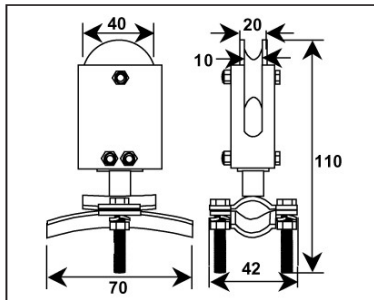
Note - This screw is not for clamping round cable but for fixing further cable clips. If there is no additional cable clip, the screw is removed.

3.2 STEEL ROPE STEEL CARRIERS

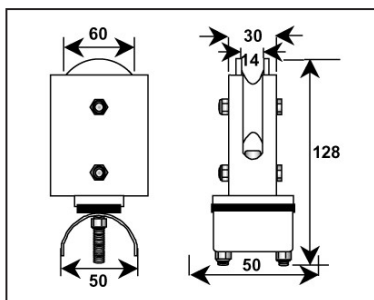
Cable carrier system for light duty applications in working environments where dust and dirt buildup occurs. For short distances and slow moving applications.



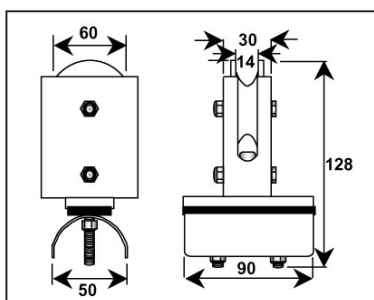
- 3-SS-RLD 6/8**
- * Vesconite carrier wheel
 - * Flat form cable width up to 25mm
 - * Wire rope size 6-8mm diameter
 - * Weight = 0.19kg



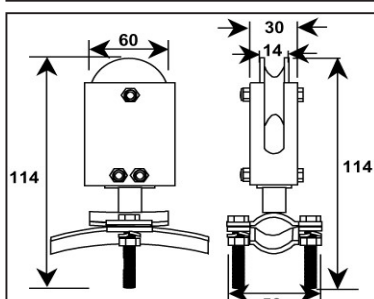
- 3-SS-RLS 6/8**
- * Vesconite carrier wheel
 - * Round cable up to 12mm diameter
 - * Wire rope size 6-8mm diameter
 - * Weight = 0.235kg



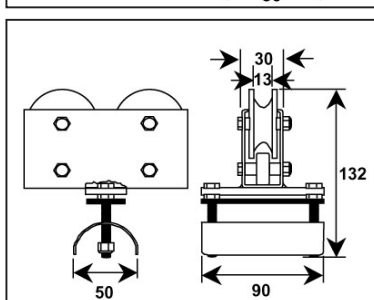
- 3-SS-RLD 10**
3-SS-RLD 12
- * Steel carrier wheel with Anti-tip roller
 - * Flat form cable width up to 25mm.
 - * Wire rope size 10 and 12mm respectively
 - * Weight = 0.52kg



- 3-SS-RLM 10**
3-SS-RLM 12
- * Steel carrier wheel with Anti-tip roller
 - * Flat form cable width up to 65mm.
 - * Wire rope size 10 and 12mm respectively
 - * Weight = 0.63kg



- 3-SS-RMS 10**
3-SS-RMS 12
- * Steel carrier wheel with Anti-tip roller
 - * Round cable-diameter up to 25mm.
 - * Wire rope size 10 and 12mm respectively
 - * Weight = 0.7kg



- 3-SS-RMH2-10**
3-SS-RMH2-12
- * Heavy duty double wheel carrier
 - * Flat cable width up to 65mm.
 - * Wire rope size 10 and 12mm respectively.
 - * Weight = 0.9kg

